

PAMS Technical Documentation

NSW-6 Series Transceivers

Service Tools

AMENDMENT RECORD SHEET

Amendment Number	Date	Inserted By	Comments
	12/99	OJuntune	

CONTENTS

	Page No
Service Junction box JBU-8	4
Module Jig JBS-25	5
Service Tool AAX-1	6
Battery Adapter BDS-6	7
Flash Adapter FLA-9	8
Flash Loading Adapter FLA-5 (Sales Pack)	9
Flash Prommer FPS-4S (Sales Pack)	10
Security Box TDF-4	11
Service Audio Box JBA-6	12
D15-D15 Cable AXS-5	13
DC Cable PCC-1B	13
DC Cable SCB-3	14
MBUS Cable DAU-9S	14
Power Cable PCS-1	15
Modular Service Cable XMS-3	15
Service Cable XRC-2	16
Antenna Removal Tool ART-5	16
SW Security Device PKD-1	17
Dongle/Flash Device FLS-2D (Sales Pack)	18

Service Junction box JBU-8

Service Junction Box JBU-8 has been designed for service use:

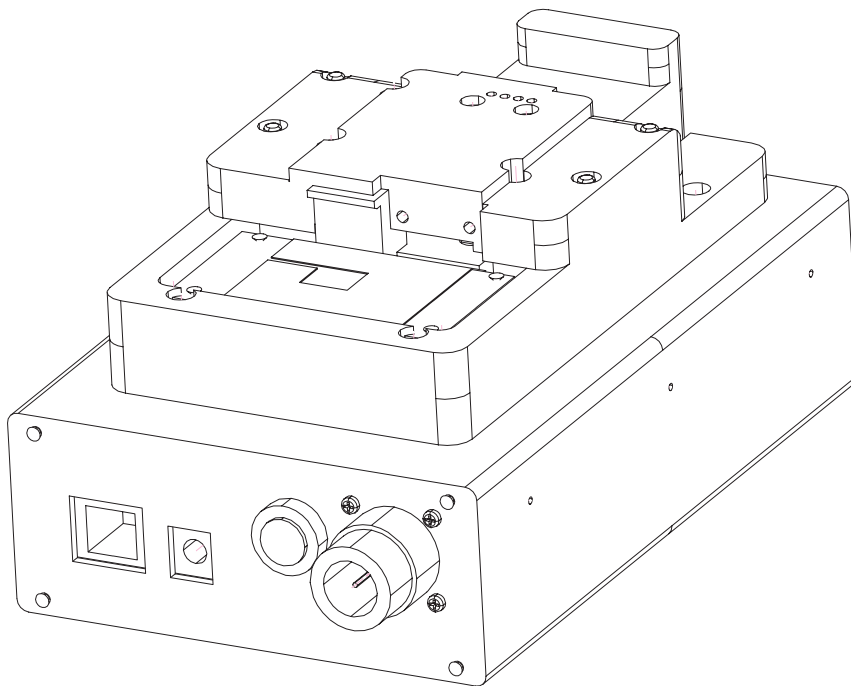
- To make connection between transceiver to FLA-5 for flash loading.
- To enable functional tests, making the connection from transceiver to test devices.
- To generate accurate 4,1V and 8.4V voltage for transceiver.
- To generate accurate 500mA current to charging current calibration.
- To generate 10ms IBI-pulse to BTMP-line

Service Junction Box JBU-8 is only forGo/NoGo testing.

Product Code

Service Junction Box JBU-8: 0770186

View of JBU-8



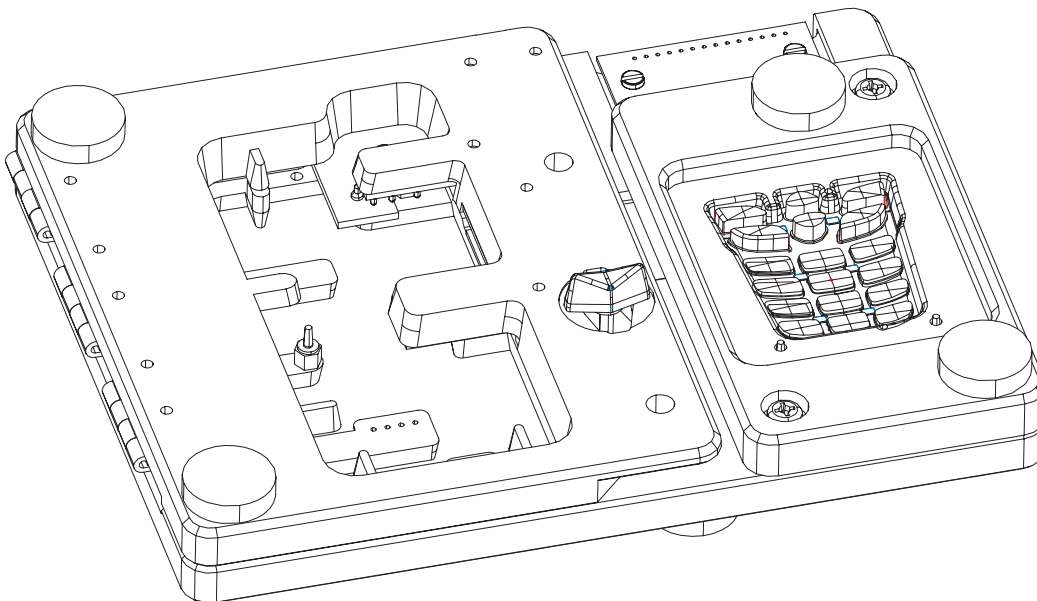
Module Jig JBS-25

The purpose of the JBS-25 module service jig is to provide a method of applying voltage from an external power supply when the phone engine is out of its mechanics.

The engine module of NSW-6 products can be tested with JBS-25.

The jig contains four connector pcbs, keyboard module and assembly parts.

Module Jig JBS-25: 0770185



Note: The nominal supply voltage for the JBS-25 is +4.1V.
 The supply voltage must not exceed +5.0 V

The purpose of the JBS-25 module service jig is to provide a method of applying voltage from an external power supply when the phone engine is out of its mechanics.

Service Tool AAX-1

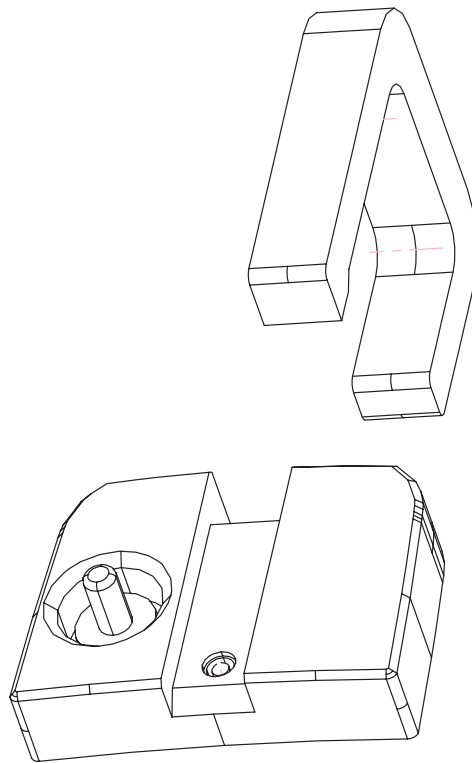
The function of the AAX-1 is to provide galvanic contact for RF measurements.

Product code

Service Tool AAX-1:

0770200

View of AAX-1



Battery Adapter BDS-6

The Battery Adapter BDS-6 is used along with an external battery capacity meter to check battery capacity.

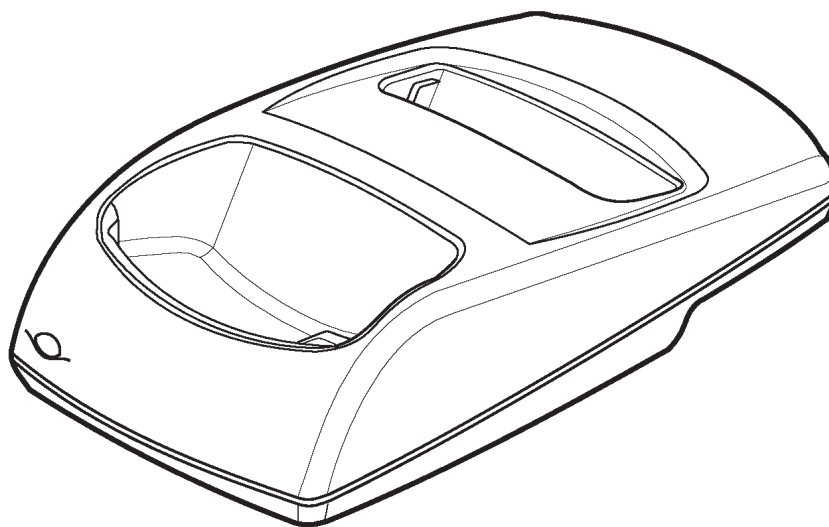
Note that Li-ion batteries have an internal protection circuit to prevent deep discharge.

Product Code

Battery Adapter BDS-6:

0750121

View of BDS-6



Flash Adapter FLA-9

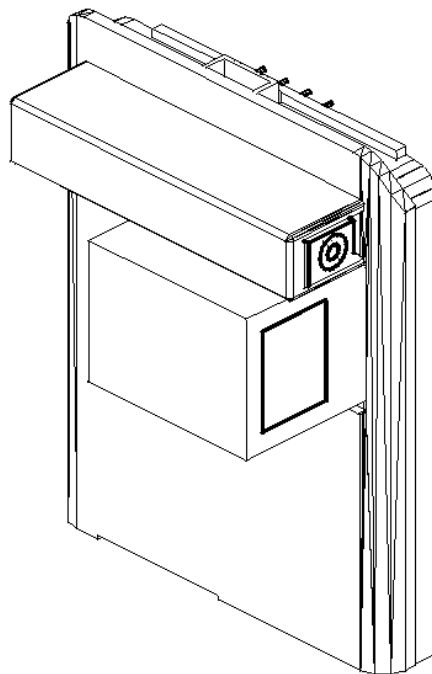
Flash Adapter FLA-9 is used in modifying the contents of the phone Flash memory, e.g.warranty data transfer.

Product Code

Flash Adapter FLA-9:

0770187

View of FLA-9



Flash Loading Adapter FLA-5 (Sales Pack)

The Flash Loading Adapter FLA-5 is used with the Flash Adapter FLA-9 and Service Cable XMS-3. Power is supplied to the FLA-5 from the Flash Security Box TDF-4 via the DC cable PCC-1B, (The PCC-1B cable can be replaced with a Travel Charger ACH-6), and is connected to the Flash Prommer FPS-4S with the cable AXS-5.

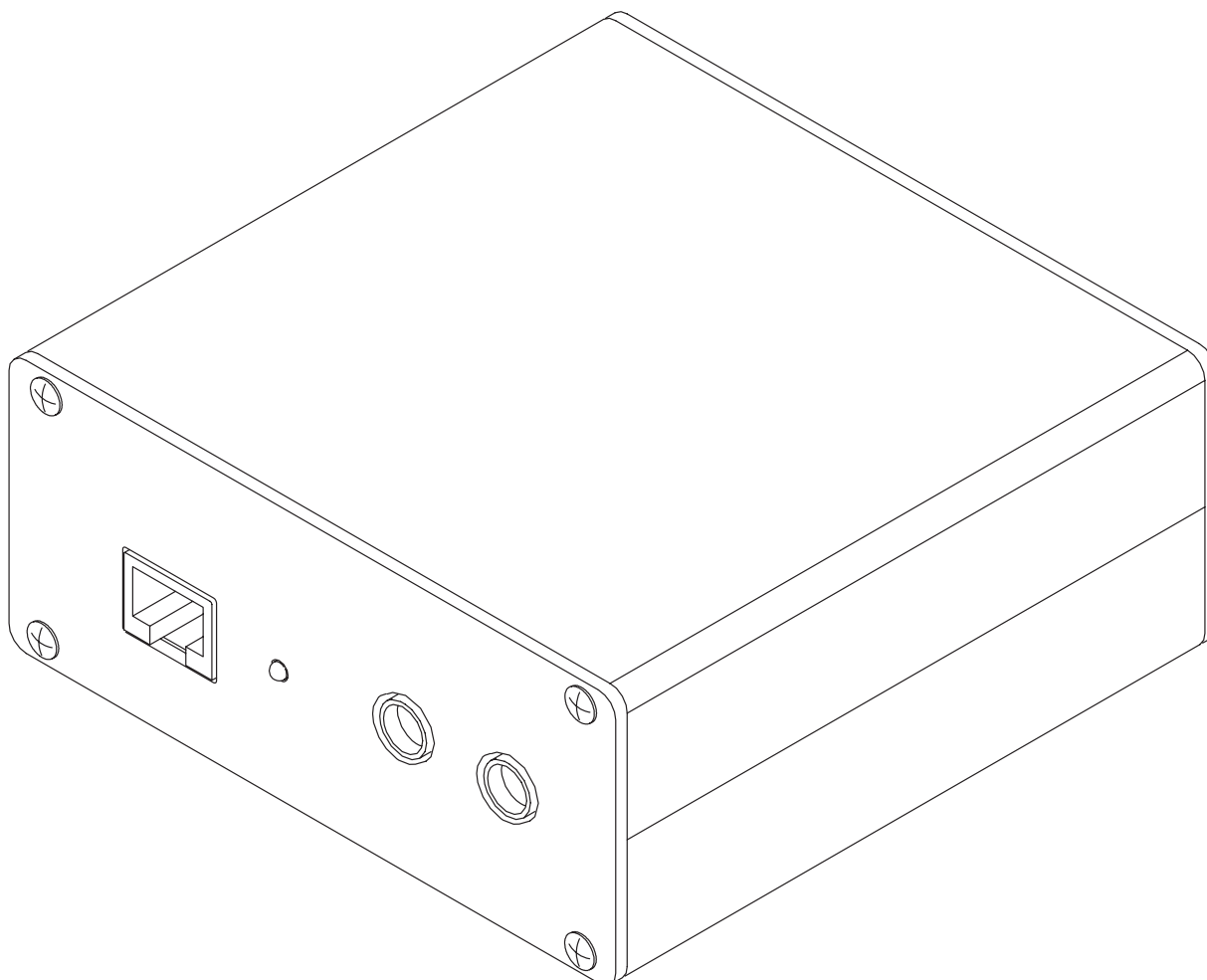
The sales pack includes:

- | | |
|-----------------------------------|---------|
| - Flash Loader Adapter FLA-5 | 0770085 |
| - Service cable SCH-5 | 0730098 |
| - D15 - D15 Cable AXS-5 | 0730091 |
| - Installation software for FPS-4 | 8400041 |

Product Code

Flash Loading Adapter FLA-5:	0080178
------------------------------	---------

View of FLA-5



Flash Prommer FPS-4S (Sales Pack)

The Flash Prommer FPS-4S is used to update the main software of the phone. Updating is done by first loading the new MCU software from the PC to the flash prommer, and then loading the new SW from the prommer to the phone. When updating more than one phone in succession, the MCU software only needs to be loaded to the prommer once.

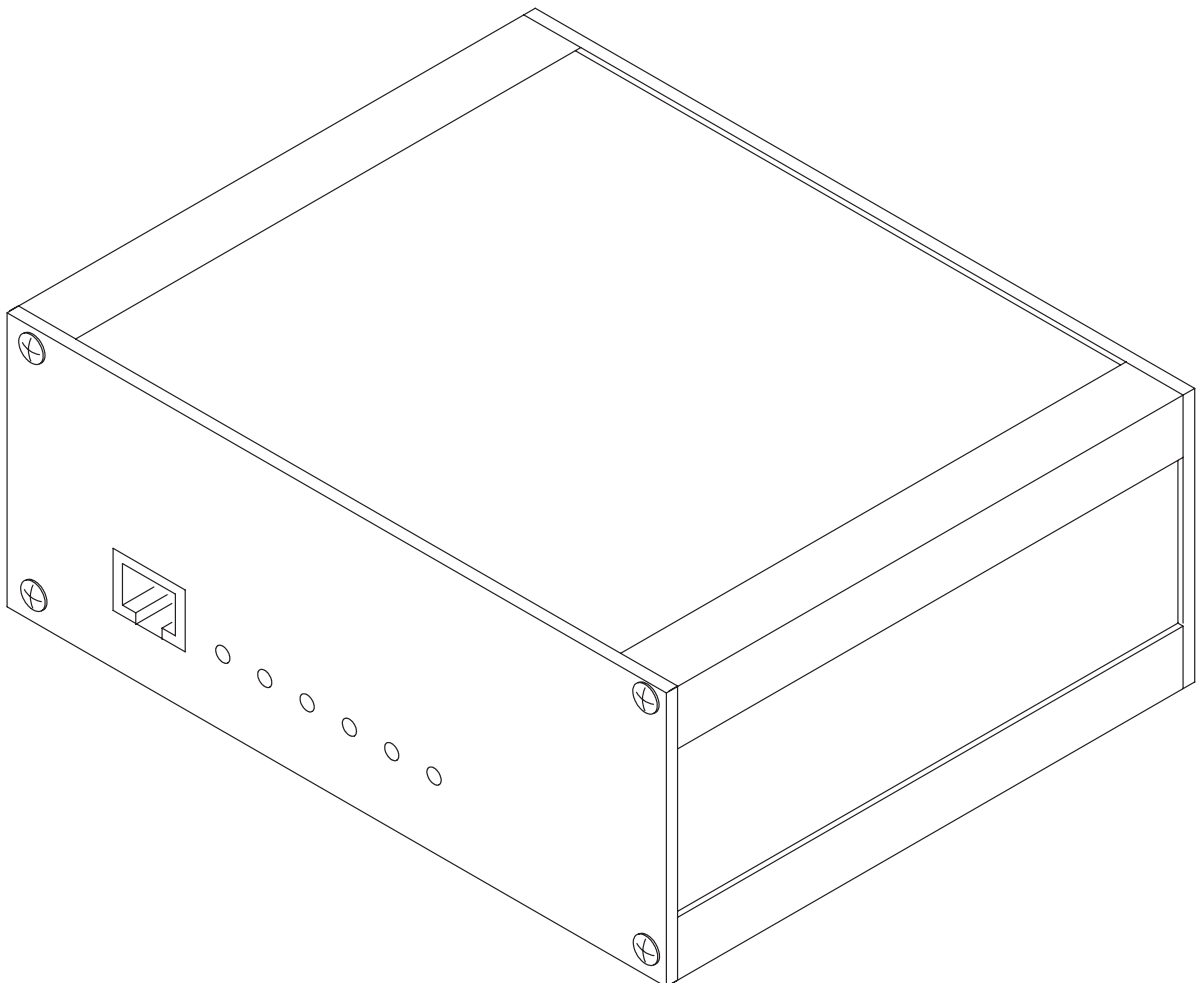
The sales pack includes:

- | | |
|-----------------------------------|---------|
| - Charger ACL-3E | 0680015 |
| - Printer Cable | 0730029 |
| - D9 - D9 Cable AXS-4 | 0730090 |
| - Installation software for FPS-4 | 8400041 |

Product Code

Flash Prommer FPS-4S:	0085095
-----------------------	---------

View of FPS-4S



Security Box TDF-4

The Security Box TDF-4 is required for updating MCU software, and infra red testing.

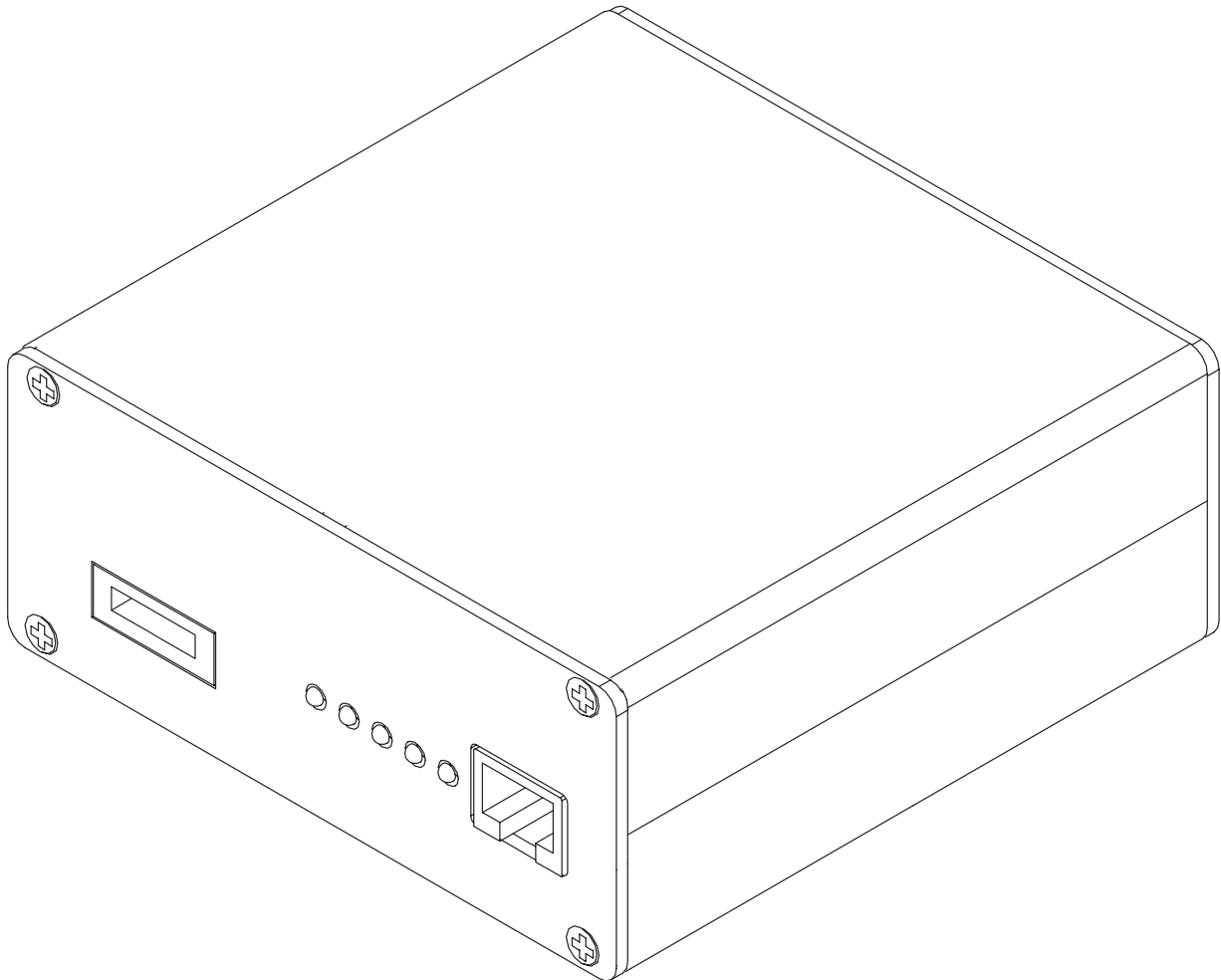
Note: TDF-4 is delivered in de-activated mode. Fill in the enclosed Activation Request Form, and fax to NMP Salo to get the activation code

Product Code

Security Box TDF-4:

0770106

View of TDF-4



Service Audio Box JBA-6

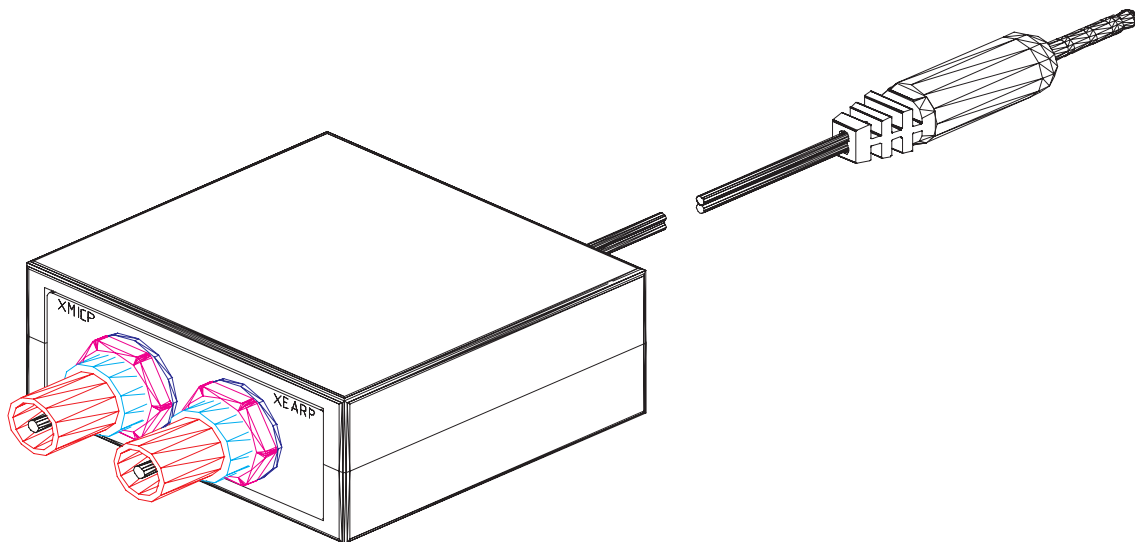
The Service Audio Box JBA-6 is used between the phone or JBS-25 and test equipment.

Product Code

Service Audio Box JBA-6:

0770184

View of JBA-6



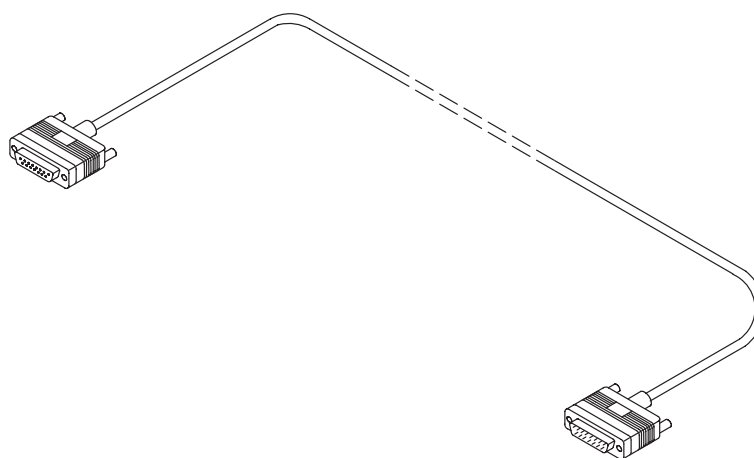
D15-D15 Cable AXS-5

The D15-D15 Cable AXS-5 is used to connect two 15 pin D connectors.
e.g. between FLA-5 and FPS-4S.

Product Code

D15-D15 Cable AXS-5: 0730091

View of AXS-5



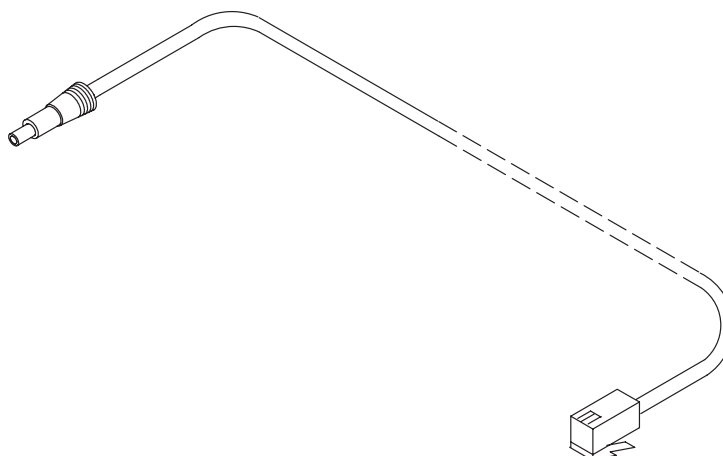
DC Cable PCC-1B

The DC Cable PCC-1B is used e.g. to connect FLA-5 and TDF-4.

Product Code

DC Cable PCC-1B: 0770053

View of PCC-1



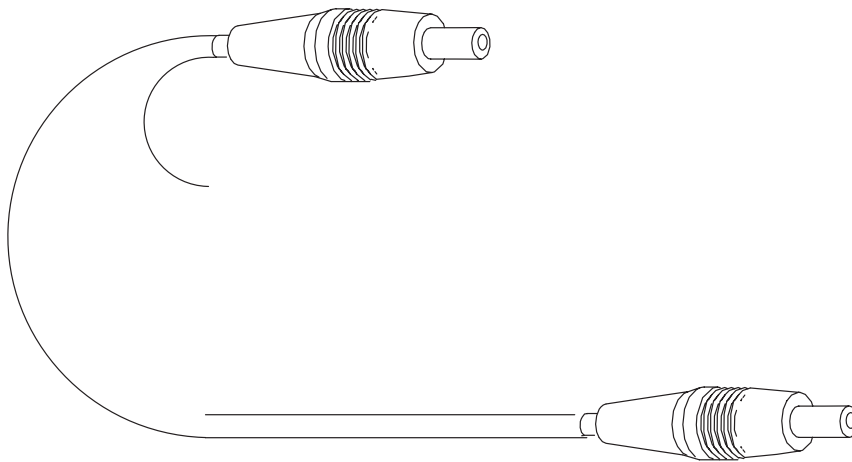
DC Cable SCB-3

The DC Cable SCB-3 is used to connect the Service Box to the charger connection Vin of the phone when doing the charger calibration service procedure.

Product Code

DC Cable SCB-3: 0730114

View of SCB-3



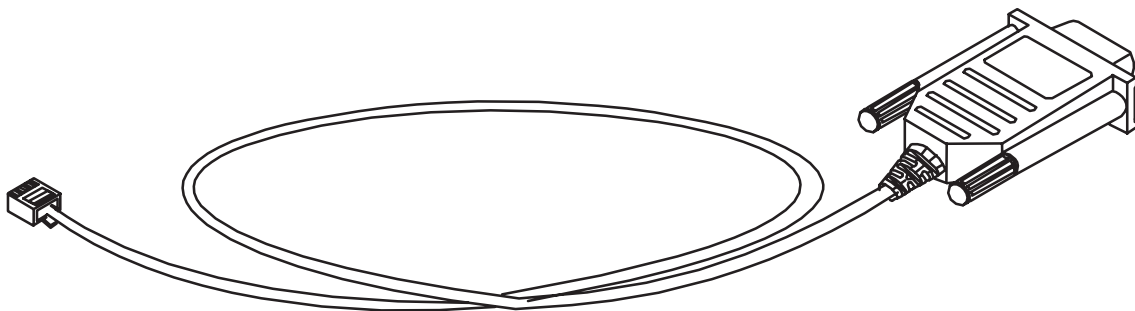
MBUS Cable DAU-9S

The MBUS Cable DAU-9S has a modular connector, and is used with the JBS-25.

Product Code

MBUS Cable DAU-9S: 0730108

View of DAU-9S



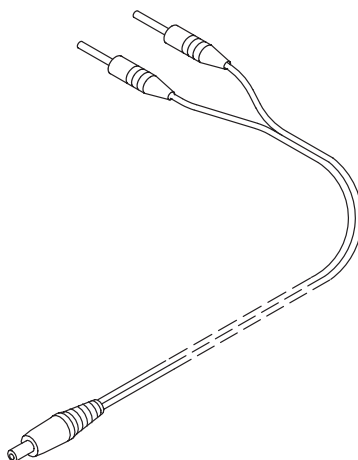
Power Cable PCS-1

The Power Cable PCS-1 is used to connect the module jigs JBS-25 and JBU-8 to an external power supply.

Product Code

Power Cable PCS-1: 0730012

View of PCS-1



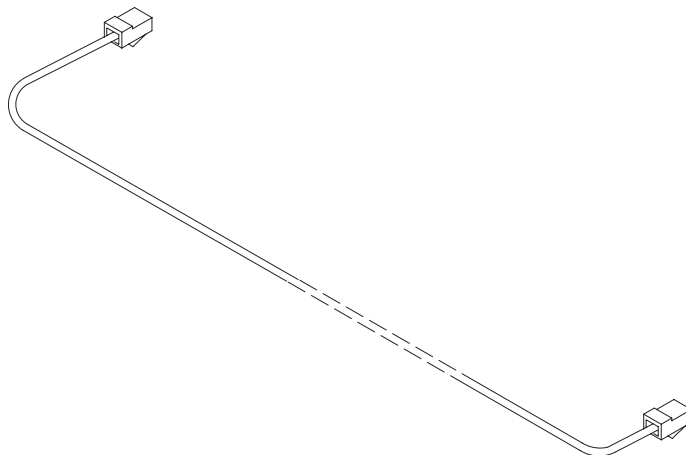
Modular Service Cable XMS-3

XMS-3 is a modular cable for flashing and warranty transfer.

Product code

Service Cable XMS-3: 0730174

View of XMS-3



Service Cable XRC-2

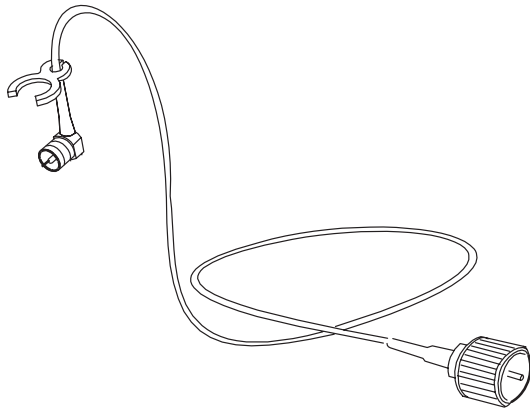
XRC-2 is a modular cable with N connector for RF measurements.

Product code

Service Cable XRC-2:

0730180

View of XRC-2



Antenna Removal Tool ART-5

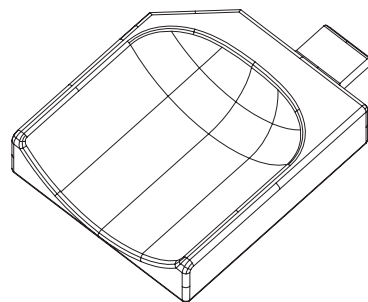
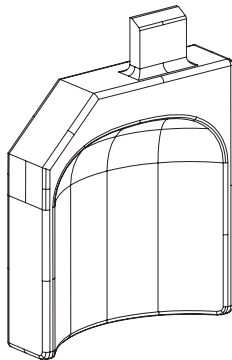
ART-5 is the antenna removal tool.

Product code

Antenna Removal Tool ART-5:

0774232

Views of ART-5



SW Security Device PKD-1

SW security device is a piece of hardware enabling the use of the service software when connected to the parallel (LPT) port of the PC. Without the dongle present it is not possible to use the service software. Printer or any such device can be connected to the PC through the dongle if needed.

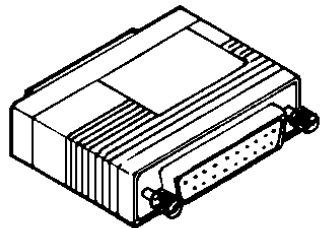
Caution: Make sure that you have switched off the PC and the printer before making connections!

Caution: Do not connect the PKD-1 to the serial port. You may damage your PKD-1!

Product Code

SW Security Device PKD-1: 0750018

View of SW Security Device



G0750018

Dongle/Flash Device FLS-2D (Sales Pack)

FLS-2D is a dongle and flash device incorporated into one package, developed specifically for POS use.

Product Code

Sales Pack -APAC	0081290
Sales Pack - Europe/Africa	0081291

View of FLS-2D



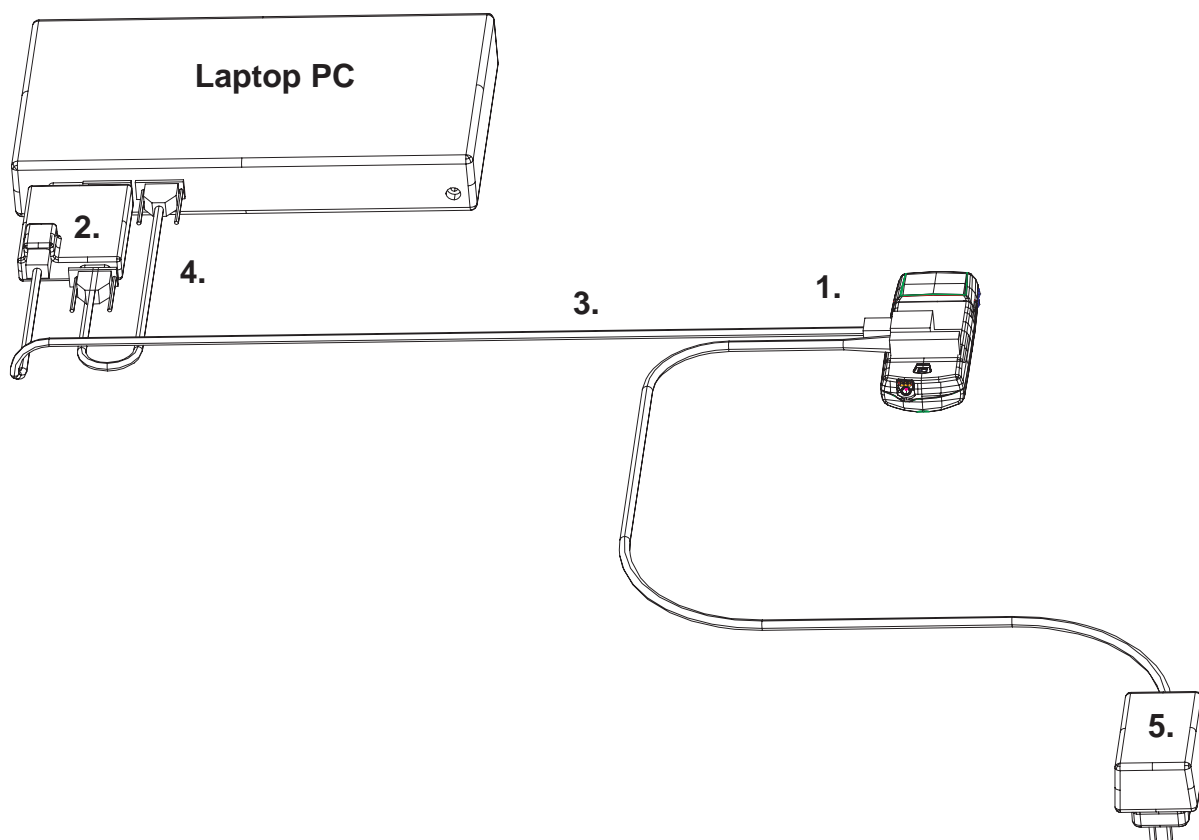
Sales Pack Contents

Part No.	Description
0750142	FLS-2D Flash Device.
0730163	AXS-4U Cable.
0770177	Disk- Installation package, 16bit Dongle Drivers.
0770176	Disk - Installation package, 32bit Dongle Drivers.
0774120	Disk - Installation package for the FLE-5 Drivers.
0774123	Disk - Remote Update Application Installation Package.
0275405	Installation and User Guide
0275404	Registration Request Form

Note: in addition to this Sales Pack, a Service Cable will be required to connect the FLS-2D to the Product/Phone to be flashed, e.g. XMS-3, and a software package to run the flashing process.

The picture overleaf shows how to connect the FLS-2 device and associated cables to the PC and Product/Phone.

FLS-2D Connection Diagram



1	Flash Battery Adapter	FLA-9	0770184
2	POS Flash Adapter (Connected to parallel port)	FLS-2D	0750130
3	Modular Cable	XMS-3	0730174
4	D9-D9 Cable	AXS-4U	0730090
5	Travel Charger	ACP-8U	0271610

This page intentionally left blank.